

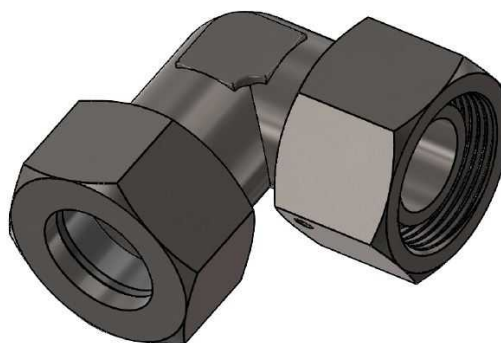
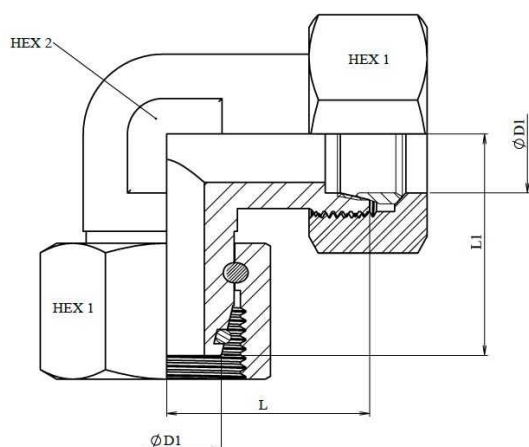
Racores DIN 2353

Racores regulables

Racor en codo regulable TL Métrica



Acero Inoxidable AISI 316-L



| Artículo | ØD1 | Serie | Presión trabajo (bar) | L | L1 | HEX 1 | HEX 2 |
|---------------------|-----|-------|-----------------------|------|------|-------|-------|
| Z EEL 6 TLM | 6 | L | 315 | 26 | 12 | 14 | 12 |
| Z EEL 8 TLM | 8 | L | 315 | 27,5 | 14 | 17 | 12 |
| Z EEL 10 TLM | 10 | L | 315 | 22 | 29 | 19 | 14 |
| Z EEL 12 TLM | 12 | L | 315 | 32 | 28 | 22 | 17 |
| Z EEL 15 TLM | 15 | L | 315 | 28 | 30 | 27 | 19 |
| Z EEL 18 TLM | 18 | L | 315 | 31 | 36,7 | 32 | 24 |
| Z EEL 22 TLM | 22 | L | 160 | 35 | 37,5 | 36 | 27 |
| Z EEL 28 TLM | 28 | L | 160 | 38 | 41,5 | 41 | 36 |
| Z EEL 35 TLM | 35 | L | 160 | 45 | 48 | 50 | 41 |
| Z EEL 42 TLM | 42 | L | 160 | 51 | 52 | 60 | 50 |
| Z EES 6 TLM | 6 | S | 630 | 23 | 25 | 17 | 12 |
| Z EES 8 TLM | 8 | S | 630 | 24 | 26 | 19 | 14 |
| Z EES 10 TLM | 10 | S | 630 | 25 | 29 | 22 | 17 |
| Z EES 12 TLM | 12 | S | 630 | 29 | 30 | 24 | 17 |
| Z EES 14 TLM | 14 | S | 630 | 30 | 31 | 27 | 19 |
| Z EES 16 TLM | 16 | S | 400 | 33 | 33,5 | 30 | 24 |
| Z EES 20 TLM | 20 | S | 400 | 37 | 41,5 | 36 | 27 |
| Z EES 25 TLM | 25 | S | 400 | 42 | 47 | 46 | 36 |
| Z EES 30 TLM | 30 | S | 400 | 49 | 55 | 50 | 41 |
| Z EES 38 TLM | 38 | S | 315 | 57 | 56,5 | 60 | 50 |

MATERIAL DE JUNTA FKM